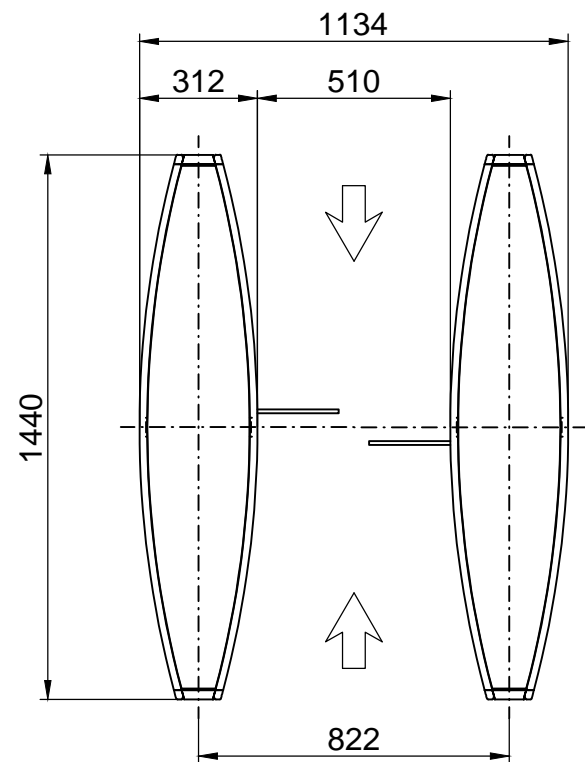
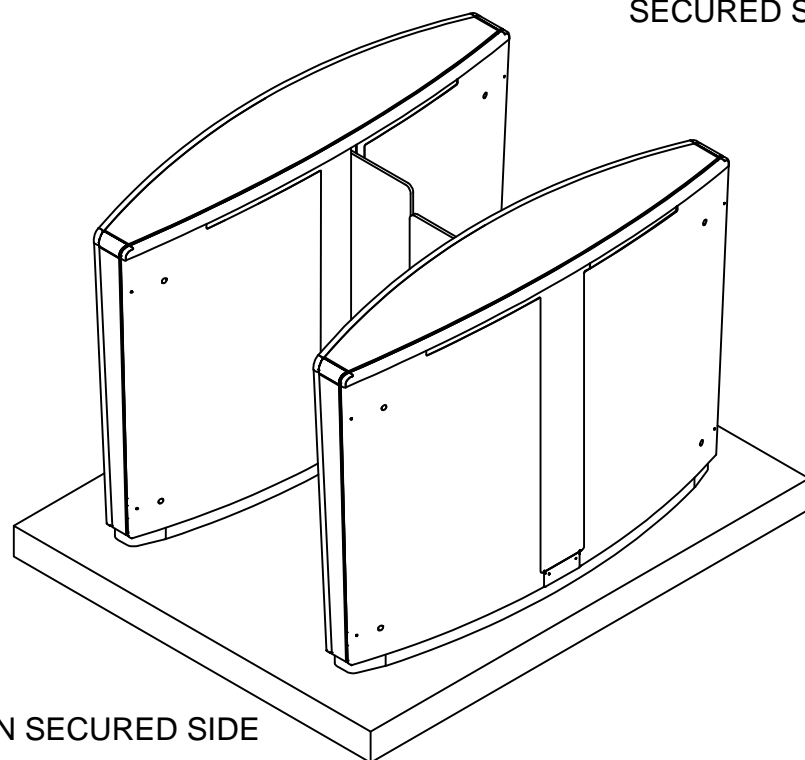


SECURED SIDE



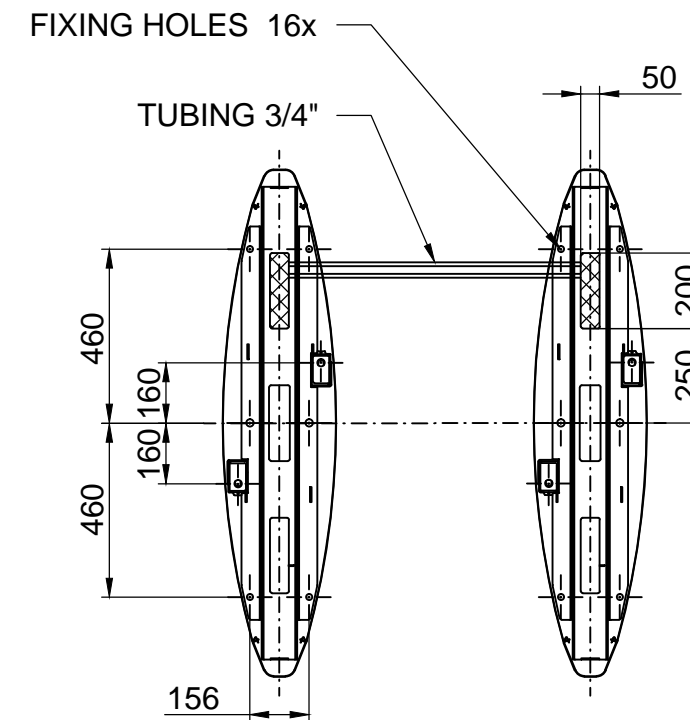
NON SECURED SIDE

SECURED SIDE



NON SECURED SIDE

SECURED SIDE

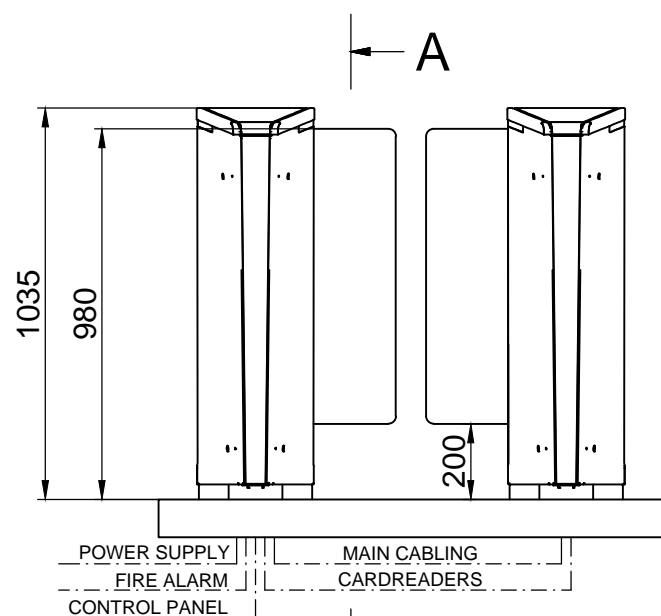


⊠ SURFACE FOR CABLING

HOLES FOR CABLING & FIXING

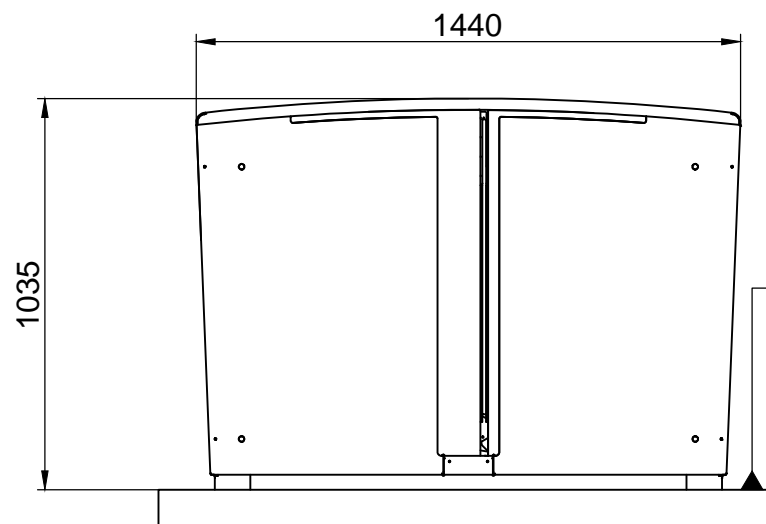
NON SECURED SIDE

A



VIEW NON SECURED SIDE

1440




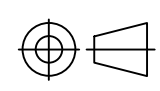
FINISHED FLOOR LEVEL

A-A

SIDE VIEW

### FOR INFORMATION

Speedlane Slide

DRAWINGNUMBER	REV.	SHEET	Basic Lane Standard
-	-	1 / 1	
DOORNUMBER	PROJECTNUMBER		 © BOON EDAM WWW.BOONEDAM.COM
-	-		
REV. BY	HSN	3-2-2015	FORMAT A3 UNITS MM SCALE 1:20
DESCR.			
DRAWN	20-1-2015		
CHECKED			
STATUS	RELEASED		